



Hydraulik - Pneumatik

**Steffen Haupt**  
Moritzer Straße 35  
01589 Riesa

Telefon: 03525 6801-0  
Telefax: 03525 680120  
[info@haupt-hydraulik.de](mailto:info@haupt-hydraulik.de)

# Manifold Valves Hi-Pro Ball Valve for High Performance

4190 HBV  
März 2003

## KATALOG

**Vertrieb:**

Frau Krauspe  
Frau Göhler

03525 680110  
03525 680111

[krauspe@haupt-hydraulik.de](mailto:krauspe@haupt-hydraulik.de)  
[goehler@haupt-hydraulik.de](mailto:goehler@haupt-hydraulik.de)

**Technischer Außendienst:**

Herr Burkhardt

03525 680113  
0173 5834091

[burkhardt@haupt-hydraulik.de](mailto:burkhardt@haupt-hydraulik.de)



# *Hi-Pro Ball Valve for High Performance Process Isolation*

*Catalog 4190-HBV  
May 2005*



# Hi-Pro Ball Valve for up to 10,000 psi/689 bar operations

## Product Description

These high performance two piece bi-directional Ball Valves offer the user full cold working pressure ratings up to 10,000 psi (689 bar), giving 100% bubble tight shut off and continuous repeatable performance. The Ball Valves are suitable for the most demanding applications in the oil, gas and process control industries.

By offering a true two piece design, body leakage paths are reduced to a minimum. With the added opportunity to select integral compression ends the user can eliminate the use of taper threads and thread sealant. This avoids system contamination, reduces leakage paths, installation costs, weight and space.

## Specifications

- 316 Stainless steel construction.
- Maximum cold working pressure rating 6,000 psi (414 bar) with P.T.F.E. seats.\*
- Temperature rating PTFE seats -54°C to +204°C (-65°F to +400°F).\*
- Maximum cold working pressure rating 10,000 psi (689 bar) with PEEK seats.\*
- Temperature rating PEEK seats -54°C to +232°C (-65°F to +450°F).\*

\*always refer to P/T graph



## Features

- Two piece body design - minimal leakage paths.
- 4:1 Pressure boundary designed safety factor.
- Designed to comply with requirements of ANSI/ASME B16.34 where applicable.
- Bi-directional.
- PEEK and PTFE standard ball seat materials.
- PHflex seats available for 25mm bore.
- PTFE and Graphoil gland packings.
- Bubble tight shutoff.
- Floating ball principal with dynamic response seats featuring inherent self relief.
- Anti blowout stem.
- Integral compression ends available eliminating taper threads and thread sealants.
- Low torque operation.
- Quarter turn positive stop handle with ergonomically designed protective sleeve.
- Full hydrostatic and low pressure air tested.
- Connector thread environmentally sealed.
- Anti static.
- Firesafe designed to meet API 607, BS6755 Pt2 (optional).

### WARNING

FAILURE, IMPROPER SELECTION OR IMPROPER USE OF THE PRODUCTS AND/OR SYSTEMS DESCRIBED HEREIN OR RELATED ITEMS CAN CAUSE DEATH, PERSONAL INJURY AND PROPERTY DAMAGE.

This document and other information from Parker Hannifin Corporation, its subsidiaries and authorized distributors provide product and/or system options for further investigation by users having technical expertise. It is important that you analyze all aspects of your application and review the information concerning the product or system in the current product catalog. Due to the variety of operating conditions and applications for these products or systems, the user, through its own analysis and testing, is solely responsible for making the final selection of the products and systems and assuring that all performance, safety and warning requirements of the application are met.

The products described herein, including without limitation, product features, specifications, designs, availability and pricing, are subject to change by Parker Hannifin Corporation and its subsidiaries at any time without notice.

### Offer of Sale

The items described in this document are hereby offered for sale by Parker Hannifin Corporation, its subsidiaries or its authorized distributors. This offer and its acceptance are governed by the provisions stated in the "Offer of Sale" located in Catalog 4110-U Needle Valves (U Series).



Visit us on the web at [www.parker.com/ipd](http://www.parker.com/ipd)

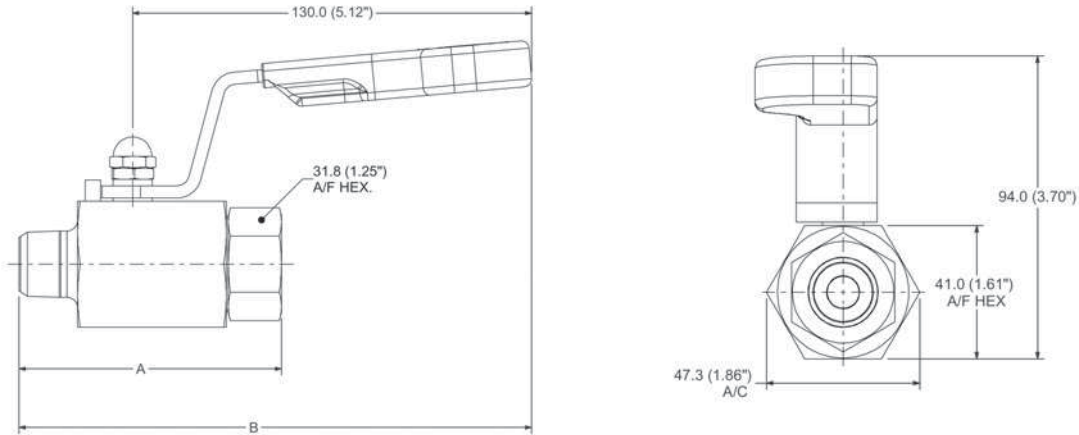
Master Table of Contents

Search

Web Site

Parker Hannifin Corporation  
3-D Drawings

# Hi-Pro Ball Valve for up to Class 4500 (10,000 psi/689 bar) operations (10mm bore)



## Standard range part numbers 10mm bore

Part number	Part number	Inlet	Outlet	Dimensions	
Class 2500	Class 4500	Female	Female	A mm (inch)	B mm (inch)
HPBY*4FF	HPBY*4FFHP	1/4" Female	1/4" Female	70.0 (2.76)	161.5 (6.36)
HPBY*6FF	HPBY*6FFHP	3/8" Female	3/8" Female	71.0 (2.80)	162.0 (6.38)
HPBY*8FF	HPBY*8FFHP	1/2" Female	1/2" Female	85.0 (3.35)	166.5 (6.56)
		Male	Female		
HPBY*4M4F	HPBY*4M4FHP	1/4" Male	1/4" Female	70.0 (2.76)	161.5 (6.36)
HPBY*8M8F	HPBY*8M8FHP	1/2" Male	1/2" Female	85.0 (3.35)	166.5 (6.56)
		A-LOK®	A-LOK®		
HPBY*4A	—	1/4" A-LOK®	1/4" A-LOK®	95.0 (3.74)	165.5 (6.52)
HPBY*6A	—	3/8" A-LOK®	3/8" A-LOK®	99.1 (3.90)	167.4 (6.59)
HPBY*8A	—	1/2" A-LOK®	1/2" A-LOK®	104.7 (4.12)	170.2 (6.70)
HPBY*M6A	—	6mm A-LOK®	6mm A-LOK®	95.0 (3.74)	165.5 (6.52)
HPBY*M8A	—	8mm A-LOK®	8mm A-LOK®	96.6 (3.80)	166.3 (6.55)
HPBY*M10A	—	10mm A-LOK®	10mm A-LOK®	99.5 (3.92)	167.6 (6.60)
HPBY*M12A	—	12mm A-LOK®	12mm A-LOK®	104.7 (4.12)	170.2 (6.70)

\*Insert material code - select from material matrix (B = Standard 316 Stainless Steel). For CPI™ change A to Z.  
 "A" dimensions given for finger tight nuts. For compression ended valve pressure ratings consult tube ratings table.  
 Combination ends are available.

**Standard product specification:** PTFE packing with PTFE seats, 10mm bore ball 6,000 psi (414 bar).

**Standard product specification:** PTFE packing with PEEK seats, 10mm bore ball 10,000 psi (689 bar).

## Cold working pressures (psi/bar) in accordance with ANSI/ASME B16.34

Material	*Insert	Class Rating		
		1500	2500	4500
316 Stainless steel std	B	3600/248	6000/414	10000/689
Alloy 400	D		5000/345	9000/620
Duplex	E	3600/248	6000/414	10000/689
Super Duplex	F		6000/414	10000/689
Hasteloy	G		6000/414	10000/689
6Mo	K		6000/414	10000/689
Alloy 625	M		6000/414	10000/689

Available options	Part number Suffix
Graphoil packing	3
PEEK seats	PK
Secured end connector	LC
Handle locking	HL
Spanner actuation	SA
Panel mounting	PM
Fire safe design - Graphoil packing (std)	FS
NACE compliant materials**	NC
Retro-fit handle locking kit (for site assembly)	HPHLKIT
PHlex seats	PH
Base mounting holes (consult Parker)	—

Note: Heat code Trace (HCT) material traceability certificates available on request

\*\*Does not apply for A-lok/CPI ended valves in 316 stainless steel.



Visit us on the web at [www.parker.com/ipd](http://www.parker.com/ipd)

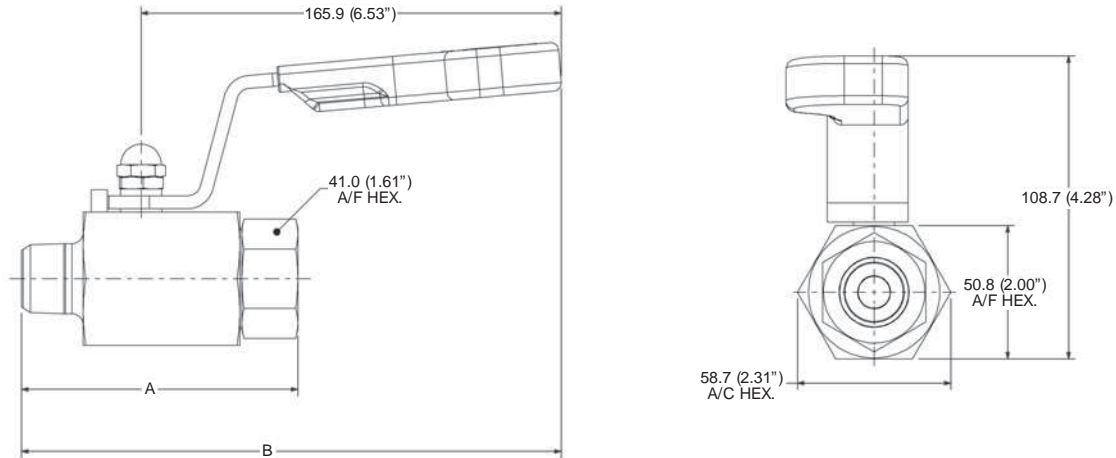
Master Table of Contents

Search

Web Site

Parker Hannifin Corporation  
3-D Drawings

# Hi-Pro Ball Valve for up to Class 4500 (10,000 psi/689 bar) operations (15mm bore)



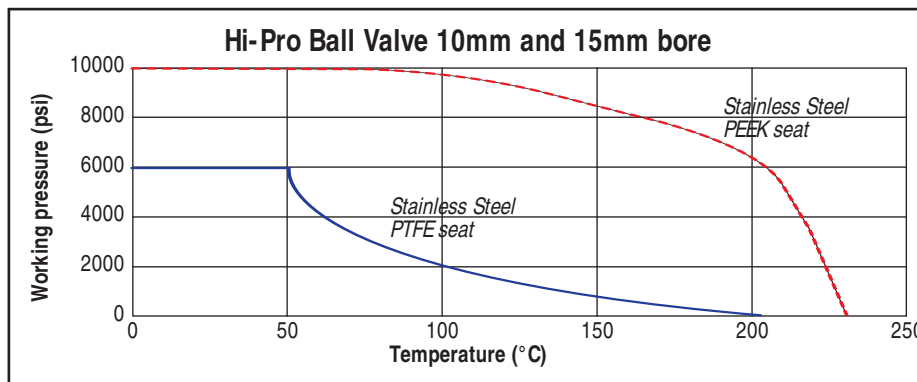
## Standard range part numbers 15mm bore

Part number	Part number	Inlet	Outlet	Dimensions	
Class 2500	Class 4500	Female	Female	A mm (inch)	B mm (inch)
HPBX*8FF	HPBX*8FFHP	1/2" Female	1/2" Female	97.2 (3.83)	207.9 (8.18)
		Male	Female		
HPBX*8M8F	HPBX*8M8FHP	1/2" Male	1/2" Female	102.9 (4.05)	213.6 (8.41)
		A-LOK®	A-LOK®		
HPBX*10A	—	5/8" A-LOK®	5/8" A-LOK®	118.0 (4.65)	212.6 (8.37)
HPBX*12A	—	3/4" A-LOK®	3/4" A-LOK®	121.9 (4.80)	214.6 (8.45)
HPBX*M16A	—	16mm A-LOK®	16mm A-LOK®	120.0 (4.72)	214.2 (8.43)
HPBX*M18A	—	18mm A-LOK®	18mm A-LOK®	120.0 (4.72)	214.2 (8.43)
HPBX*M20A	—	20mm A-LOK®	20mm A-LOK®	120.0 (4.72)	214.2 (8.43)

\*Insert material code - select from material matrix (B = Standard 316 Stainless Steel). For CPI™ change A to Z.  
 "A" dimensions given for finger tight nuts. For compression ended valve pressure ratings consult tube ratings table.  
 Combination ends are available.

**Standard product specification:** PTFE packing with PTFE seats, 15mm bore ball 6,000 psi (414 bar).

**Standard product specification:** PTFE packing with PEEK seats, 15mm bore ball 10,000 psi (689 bar).



Materials and options as per page 3



Visit us on the web at [www.parker.com/ipd](http://www.parker.com/ipd)

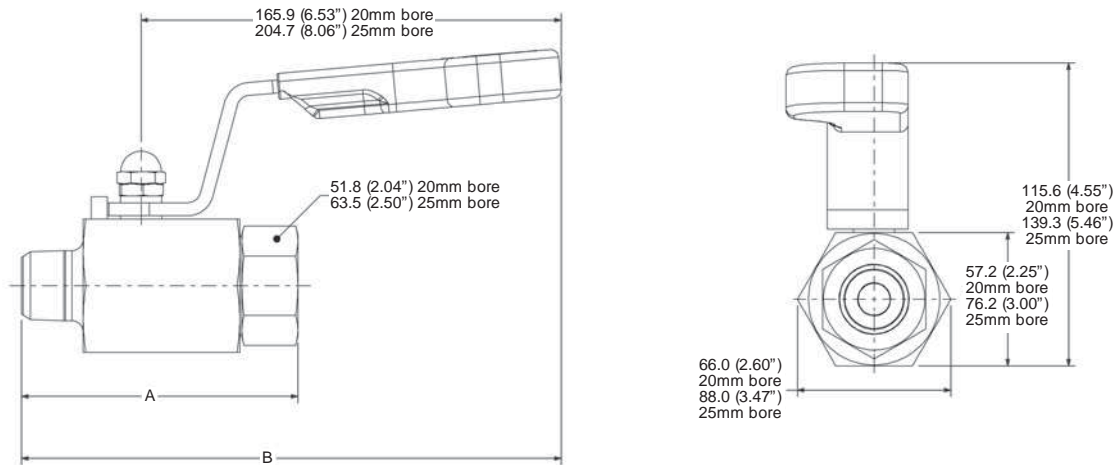
Master Table of Contents

Search

Web Site

Parker Hannifin Corporation  
3-D Drawings

# Hi-Pro Ball Valve for up to Class 2500 (6,000 psi/414 bar) operations (20 & 25mm bore)



## Standard range part numbers 20mm bore

Part number	Part number	Inlet	Outlet	Dimensions	
Class 1500	Class 2500	NPT	NPT	A mm (inch)	B mm (inch)
HPBW*12FFLP	HPBW*12FF	3/4" Female	3/4" Female	89.8 (3.54)	204.1 (8.03)
HPBW*12M12FLP	HPBW*12M12F	3/4" Male	3/4" Female	102.5 (4.04)	216.8 (8.53)
		A-LOK®	A-LOK®		
HPBW*14ALP	—	7/8" A-LOK®	7/8" A-LOK®	134.0 (5.28)	221.1 (8.71)
HPBW*16ALP	—	1" A-LOK®	1" A-LOK®	137.6 (5.42)	222.9 (8.77)
HPBW*M22ALP	—	22mm A-LOK®	22mm A-LOK®	133.3 (5.25)	220.8 (8.69)
HPBW*M25ALP	—	25mm A-LOK®	25mm A-LOK®	137.1 (5.40)	222.7 (8.77)

\*Insert material code - select from material matrix (B = Standard 316 Stainless Steel). For CPI™ change A to Z.  
 "A" dimensions given for finger tight nuts. For compression ended valve pressure ratings consult tube ratings table.  
 Combination ends are available.

**Standard product specification:** PTFE packing with PTFE seats, 20mm bore ball 3,600 psi (247 bar).

**Standard product specification:** PTFE packing with PEEK seats, 20mm bore ball 6,000 psi (414 bar).

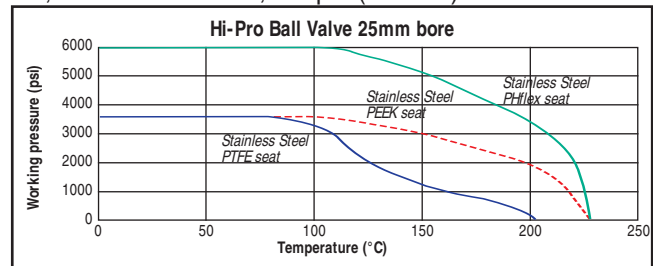
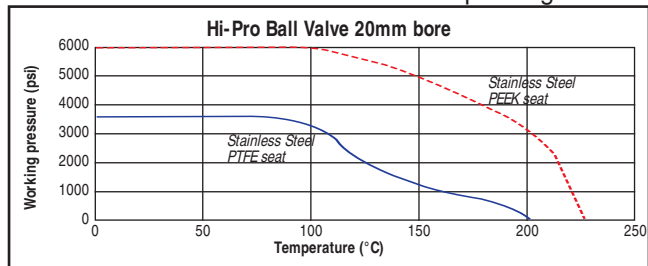
## Standard range part numbers 25mm bore

Part number	Part number	Inlet	Outlet	Dimensions	
Class 1500	Class 2500	NPT	NPT	A mm (inch)	B mm (inch)
HPBV*16FFLP	HPBV*16FF	1" Female	1" Female	128.4 (5.05)	260.3 (10.23)
HPBV*16M16FLP	HPBV*16M16F	1" Male	1" Female	132.2 (5.20)	264.1 (10.40)
		A-LOK®	A-LOK®		
HPBV*16ALP	—	1" A-LOK®	1" A-LOK®	153.2 (6.03)	269.8 (10.62)
HPBV*M25ALP	—	25mm A-LOK®	25mm A-LOK®	153.2 (6.03)	269.8 (10.62)

\*Insert material code - select from material matrix (B = Standard 316 Stainless Steel). For CPI™ change A to Z.  
 "A" dimensions given for finger tight nuts. For compression ended valve pressure ratings consult tube ratings table.  
 Combination ends are available.

**Standard product specification:** PTFE packing with PTFE or PEEK seats, 25mm bore ball 3,600 psi (247 bar).

PTFE packing with PHflex seats, 25mm bore ball 6,000 psi (414 bar).



## Materials and options as per page 3



Visit us on the web at [www.parker.com/ipd](http://www.parker.com/ipd)

Parker Hannifin Corporation

Master Table of Contents

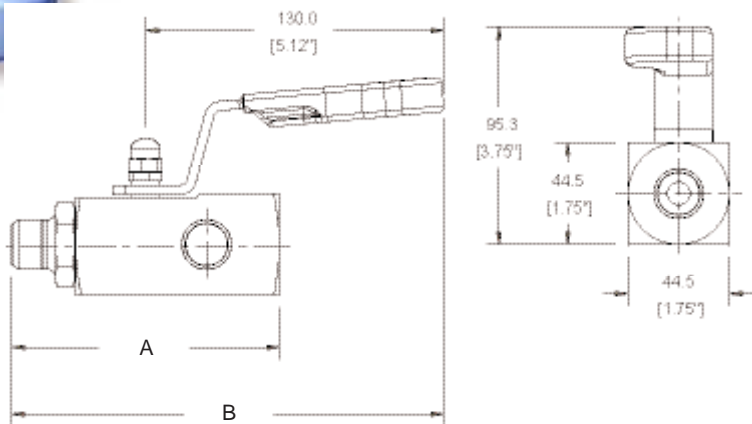
Search

Web Site

3-D Drawings



# Hi-Pro Multi Port Gauge Valve for up to Class 4500 (10,000 psi/689 bar) operations (10mm bore)



## Standard Product Specifications

**Part No. HPBYGVB8:** 316 Stainless Steel construction, PTFE packing, PTFE seats, 10mm bore ball, 6,000 psi (414 bar), 1/2" NPT male inlet x 3 – 1/2" NPT female outlets.

**Part No. HPBYGVB12:** 316 Stainless Steel construction, PTFE packing, PTFE seats, 10mm bore ball, 6,000 psi (414 bar), 3/4" NPT male inlet x 3 – 1/2" NPT female outlets.

**Part No. HPBYGVB8HP:** 316 Stainless Steel construction, PTFE packing, PEEK seats, 10mm bore ball, 10,000 psi (689 bar), 1/2" NPT male inlet x 3 – 1/2" NPT female outlets.

**Part No. HPBYGVB12HP:** 316 Stainless Steel construction, PTFE packing, PEEK seats, 10mm bore ball, 10,000 psi (689 bar), 3/4" NPT male inlet x 3 – 1/2" NPT female outlets.

**Note:** To obtain optional bleed valve and/or blank plug with the gauge valve the above part number must be suffixed accordingly. If these parts are required they will be shipped loose in the box for customer assembly using their preferred thread sealant.

Part number	Part number	Inlet	Outlet	Dimensions	
6000 psi (414 bar)	10000 psi (689 bar)	Male	Female	A mm (inch)	B mm (inch)
HPBYGV*8	HPBYGV*8HP	1/2" NPT	3x1/2" NPT	116.5 (4.59)	188.1 (7.41)
HPBYGV*12	HPBYGV*12HP	3/4" NPT	3x1/2" NPT	119.5 (4.71)	191.1 (7.52)

\*Insert material code - select from material matrix (B = Standard 316 Stainless Steel).



Bleed valve



Plug

Materials and options as per page 3



Visit us on the web at [www.parker.com/ipd](http://www.parker.com/ipd)

Parker Hannifin Corporation

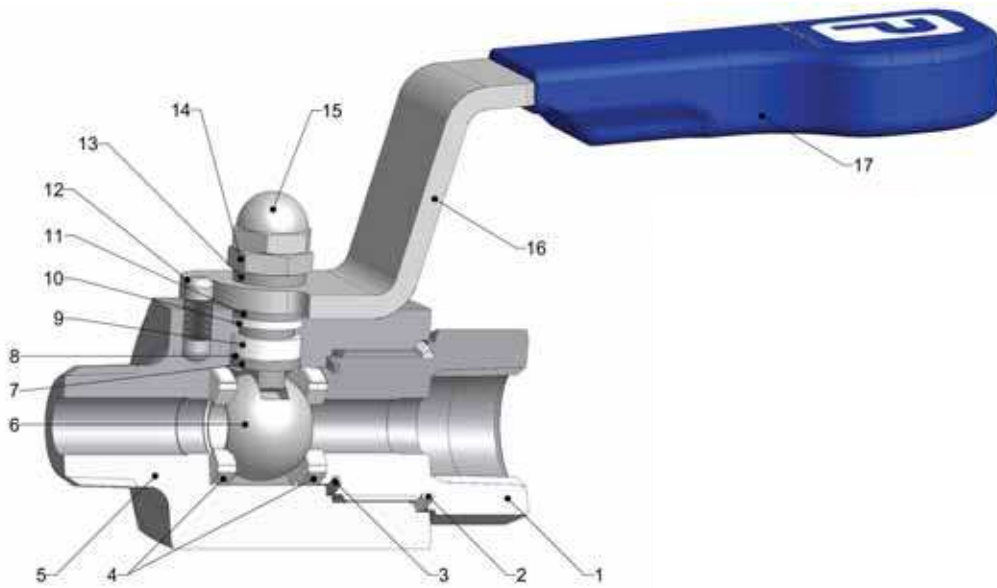
Master Table of Contents

Search

Web Site

3-D Drawings

# Hi-Pro Ball Options for up to Class 4500 (10,000 psi/689 bar) operations



## Part description

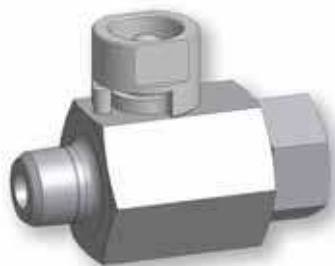
Item	Description
1	End Connector
2	E-seal™
3	Sealing washer
4	Seats
5	Body
6	Ball
7	Anti blowout stem
8	Thrust Seal
9	Gland packing
10	Upper gland packing
11	Thrust bush
12	Stop pin
13	Thrust bush
14	Lock nut
15	Locking dome nut
16	Handle
17	Handle grip



**Handle locking**  
(padlock not supplied)



**Secured end connector**  
(double pin)



**Spanner actuation**



**Panel mounting**  
(c/w nuts & bolts)



Visit us on the web at [www.parker.com/ipd](http://www.parker.com/ipd)

Parker Hannifin plc  
Instrumentation Products Division  
Riverside Road  
Pottington Business Park  
Barnstaple, Devon EX31 1NP  
England  
Phone: +44 (0) 1374 312121

Master Table of Contents

Search

Web Site

3-D Drawings



## Parker Instrumentation Sales & Service Locations

Visit [www.parker.com](http://www.parker.com)

Europe - Call free of  
charge 00800 27 27 5374

U.S. - Call toll free  
1-800-272-7537  
(1-800-C-Parker)

### Sales Offices

Africa	(27) (11) 392 7280
Argentina	(58) (11) 4752 4169
Australia	(61) (2) 9634 7777
Azerbaijan	(99) (412) 983 966
Brazil	(55) (12) 3545100
Canada	(905) 945-2274
China	(86) (21) 6445 9339
Egypt	(2) 025194018
Finland	(358) 9476 731
France	(33) 141 115390
Germany	(49) 6134 204 243
Hong Kong	(852) 2428 8008
India	(91) (22) 5771671
Italy	(39) (2) 451921
Japan	(81) (3) 6408 3900
Korea	(82) (2) 598 0414
Latin American/ Caribbean Countries	(305) 470-8800
Norway	(47) (51) 826300
Singapore	(65) 2615233
Sweden	(46) 157434900
Taiwan	(886) (2) 8787 3780
United Arab Emirates	(971) (2) 6788587
United Kingdom	(44) 1271 313131
Venezuela	(58) (2) 2385422



**Parker Hannifin plc**  
Instrumentation Products Division  
Riverside Road  
Pottington Business Park  
Barnstaple, Devon EX31 1NP  
England  
Tel: +44 (0)1271 313131  
Fax: +44 (0)1271 373636



**Parker Hannifin Corp.**  
Instrumentation Valve Division  
2651 Alabama Hwy 21 N  
Jacksonville, AL36265  
U.S.A  
Tel: (256) 435 2130  
Fax: (256) 435 7718



Visit us on the web at [www.parker.com/ipd](http://www.parker.com/ipd)

Master Table of Contents

Search

Web Site

3-D Drawings