

Camlocks are often referred to as Cam and Groove Couplings. This is because they are engineered with grooves that allow the various styles to fit together creating a tight seal. Their simple structure and easy operation make them very popular. Camlocks are connected by simply opening the coupler arms and inserting the adaptor into the coupler. As the arms are pushed down to the sides, the two connectors are forced tightly together creating the bonded seal on an internal gasket.

Camlock come in a variety of materials:aluminum,stainless steel,brass,polypropylene.

Standard

1.MIL A-A-59326

Cam & Groove couplings are made in compliance with A-A-59326 (old version called MIL-C-27487) specification.

2.EN14420-7(DIN2828)

The European standard EN 14420-7:2004 replaces DIN 2828, which was applied to cam & groove couplings manufactured to A-A-59326A.A flat thread seal has been added to the female threaded parts ,and a smooth hose shank has been added for assembly with DIN 2817 safety clamps.

Size

Aluminum:1/2" to 8"

Stainless steel:1/2" to 6"

Brass:1/2" to 4"

PP:1/2" to 4"

Material

1.Stainless steel AISI316/1.4408 by investment casting

2.Brass CW614N by forging

3.Aluminium by gravity casting

4.Polypropylene



Features

- 1. Handles are made of stainless steel AISI 304 as a standard.
- 2.Camlocks are capable of transporting liquids,solids and gases,except liquid gas and steam.
- 3.Coupling with multi-serrated hose shank & collar are available on customer's request.

Seal for Camlock

Camlock	Flat gasket seal	Thread gasket
Aluminum	NBR	NBR
Stainless steel	NBR	PTFE
Brass	NBR	PU
PP	EPDM	NBR

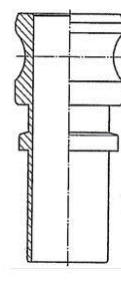
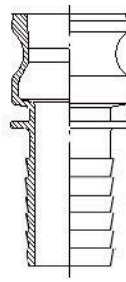
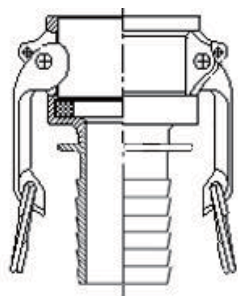
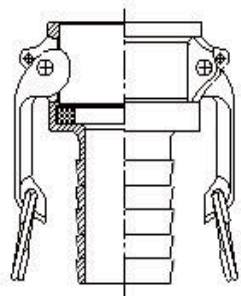
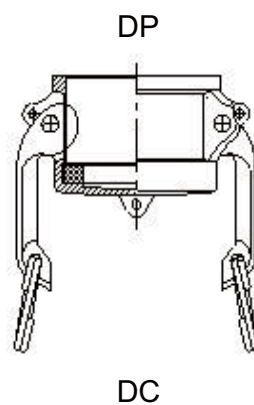
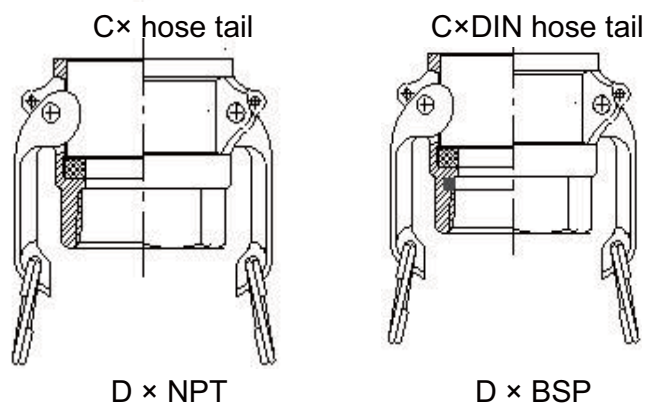
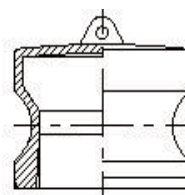
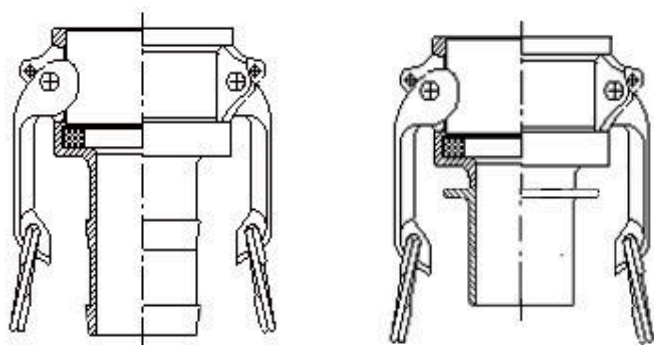
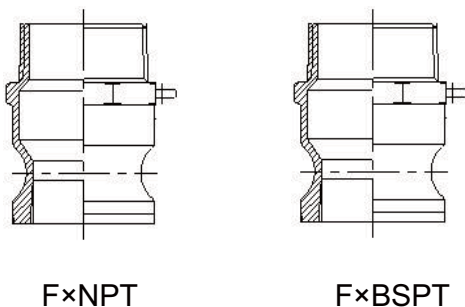
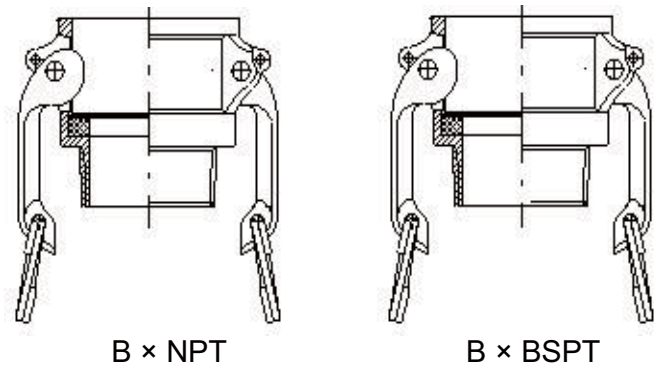
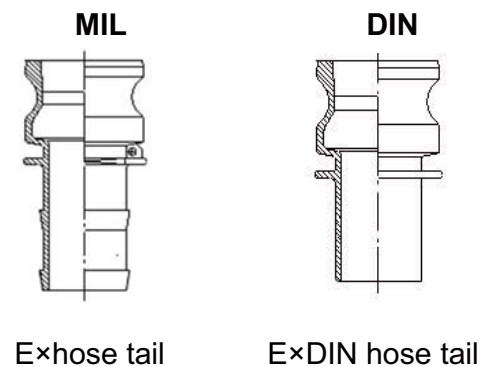
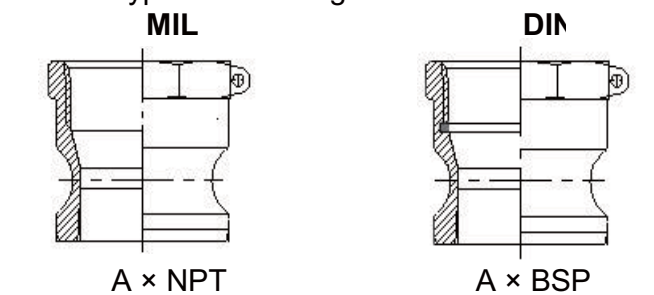


Thread for Camlock

Camlock	Male	Female	Standard
A-A-59326	NPT	NPT	NPT according to ANSI/ASME B1.20.1
EN 14420-7	BSPT	BSP	BSPT according to EN 10226-1
DIN 2828	BSPT	BSP	BSP according to EN ISO 228-1



Camlock type line drawings



C x multi-serrated tail

C x multi-serrated tail & collar

E x multi-serrated tail



E x on customer's request

Cam & Groove Couplings/Camlock Couplings MIL A-A-59326

Luxecasting 2014	Name	Size	Code	Price /USD NPT(MIL)	Remark	
	A050AL	1/2"	L1041001			
	A075AL	3/4"	L1041004			
	A100AL	1"	L1041007			
	A125AL	1 1/4"	L1041010			
	A150AL	1 1/2"	L1041013			
	A200AL	2"	L1041016			
	A250AL	2 1/2"	L1041019			
	A300AL	3"	L1041022			
	A400AL	4"	L1041025			
	A500AL	5"	L1041028			
	A600AL	6"	L1041031			
	A800AL	8"	L1041045			
		A050SS	1/2"	L1021001		
A075SS		3/4"	L1021004			
A100SS		1"	L1021007			
A125SS		1 1/4"	L1021010			
A150SS		1 1/2"	L1021013			
A200SS		2"	L1021016			
A250SS		2 1/2"	L1021019			
A300SS		3"	L1021022			
A400SS		4"	L1021025			
A500SS		5"	L1021028			
A600SS		6"	L1021031			
		A050BR	1/2"	L1061001		
		A075BR	3/4"	L1061004		
	A100BR	1"	L1061007			
	A125BR	1 1/4"	L1061010			
	A150BR	1 1/2"	L1061013			
	A200BR	2"	L1061016			
	A250BR	2 1/2"	L1061019			
	A300BR	3"	L1061022			
	A400BR	4"	L1061025			
		A050PP	1/2"	L1071001		
		A075PP	3/4"	L1071004		
		A100PP	1"	L1071007		
		A125PP	1 1/4"	L1071010		
A150PP		1 1/2"	L1071013			
A200PP		2"	L1071016			
A250PP		2 1/2"	L1071019			
A300PP		3"	L1071022			
A400PP		4"	L1071025			

Type A with BSPT thread on request available


Cam & Groove Couplings/Camlock Couplings
MIL A-A-59326

Luxecasting 2014	Name	Size	Code	Price /USD NPT(MIL)	Remark
	B	B050AL	1/2"	L1042001	
	B075AL	3/4"	L1042004		
	B100AL	1"	L1042007		
	B125AL	1 1/4"	L1042010		
	B150AL	1 1/2"	L1042013		
	B200AL	2"	L1042016		
	B250AL	2 1/2"	L1042019		
	B300AL	3"	L1042022		
	B400AL	4"	L1042025		
	B500AL	5"	L1042028		
	B600AL	6"	L1042031		
	B800AL	8"	L1042034		
		B050SS	1/2"	L1022001	
B075SS		3/4"	L1022004		
B100SS		1"	L1022007		
B125SS		1 1/4"	L1022010		
B150SS		1 1/2"	L1022013		
B200SS		2"	L1022016		
B250SS		2 1/2"	L1022019		
B300SS		3"	L1022022		
B400SS		4"	L1022025		
B500SS		5"	L1022028		
B600SS		6"	L1022031		
		B050BR	1/2"	L1062001	
		B075BR	3/4"	L1062004	
	B100BR	1"	L1062007		
	B125BR	1 1/4"	L1062010		
	B150BR	1 1/2"	L1062013		
	B200BR	2"	L1062016		
	B250BR	2 1/2"	L1062019		
	B300BR	3"	L1062022		
	B400BR	4"	L1062025		
		B050PP	1/2"	L1072001	
		B075PP	3/4"	L1072004	
		B100PP	1"	L1072007	
		B125PP	1 1/4"	L1072010	
B150PP		1 1/2"	L1072013		
B200PP		2"	L1072016		
B250PP		2 1/2"	L1072019		
B300PP		3"	L1072022		
B400PP		4"	L1072025		

**Cam & Groove Couplings/Camlock Couplings
MIL A-A-59326**

Luxecasting 2014	Name	Size	Code	Price USD	Remark	
	C050AL	1/2"	L1043001			
	C075AL	3/4"	L1043002			
	C100AL	1"	L1043003			
	C125AL	1 1/4"	L1043004			
	C150AL	1 1/2"	L1043005			
	C200AL	2"	L1043006			
	C250AL	2 1/2"	L1043007			
	C300AL	3"	L1043008			
	C400AL	4"	L1043009			
	C500AL	5"	L1043010			
	C600AL	6"	L1043011			
	C800AL	8"	L1043023			
	C050SS	1/2"	L1023001			
	C075SS	3/4"	L1023002			
	C100SS	1"	L1023003			
	C125SS	1 1/4"	L1023004			
	C150SS	1 1/2"	L1023005			
	C200SS	2"	L1023006			
	C250SS	2 1/2"	L1023007			
	C300SS	3"	L1023008			
	C400SS	4"	L1023009			
	C500SS	5"	L1023010			
	C600SS	6"	L1023011			
		C050BR	1/2"	L1063001		
C075BR		3/4"	L1063002			
C100BR		1"	L1063003			
C125BR		1 1/4"	L1063004			
C150BR		1 1/2"	L1063005			
C200BR		2"	L1063006			
C250BR		2 1/2"	L1063007			
C300BR		3"	L1063008			
C400BR		4"	L1063009			
		C050PP	1/2"	L1073001		
		C075PP	3/4"	L1073002		
		C100PP	1"	L1073003		
	C125PP	1 1/4"	L1073004			
	C150PP	1 1/2"	L1073005			
	C200PP	2"	L1073006			
	C250PP	2 1/2"	L1073007			
	C300PP	3"	L1073008			
C400PP	4"	L1073009				

Cam & Groove Couplings/Camlock Couplings MIL A-A-59326

Luxecasting 2014	Name	Size	Code	Price /USD NPT(MIL)	Remark	
	D050AL	1/2"	L1044001			
	D075AL	3/4"	L1044004			
	D100AL	1"	L1044007			
	D125AL	1 1/4"	L1044010			
	D150AL	1 1/2"	L1044013			
	D200AL	2"	L1044016			
	D250AL	2 1/2"	L1044019			
	D300AL	3"	L1044022			
	D400AL	4"	L1044025			
	D500AL	5"	L1044028			
	D600AL	6"	L1044031			
	D800AL	8"	L1044035			
		D050SS	1/2"	L1024001		
D075SS		3/4"	L1024004			
D100SS		1"	L1024007			
D125SS		1 1/4"	L1024010			
D150SS		1 1/2"	L1024013			
D200SS		2"	L1024016			
D250SS		2 1/2"	L1024019			
D300SS		3"	L1024022			
D400SS		4"	L1024025			
D500SS		5"	L1024028			
D600SS		6"	L1024031			
		D050BR	1/2"	L1064001		
		D075BR	3/4"	L1064004		
	D100BR	1"	L1064007			
	D125BR	1 1/4"	L1064010			
	D150BR	1 1/2"	L1064013			
	D200BR	2"	L1064016			
	D250BR	2 1/2"	L1064019			
	D300BR	3"	L1064022			
	D400BR	4"	L1064025			
		D050PP	1/2"	L1074001		
		D075PP	3/4"	L1074004		
		D100PP	1"	L1074007		
		D125PP	1 1/4"	L1074010		
D150PP		1 1/2"	L1074013			
D200PP		2"	L1074016			
D250PP		2 1/2"	L1074019			
D300PP		3"	L1074022			
D400PP	4"	L1074025				

Type D with BSPT thread on request available

Cam & Groove Couplings/Camlock Couplings
MIL A-A-59326

Luxecasting 2014	Name	Size	Code	Price USD	Remark
	E050AL	1/2"	L1045001		
	E075AL	3/4"	L1045002		
	E100AL	1"	L1045003		
	E125AL	1 1/4"	L1045004		
	E150AL	1 1/2"	L1045005		
	E200AL	2"	L1045006		
	E250AL	2 1/2"	L1045007		
	E300AL	3"	L1045008		
	E400AL	4"	L1045009		
	E500AL	5"	L1045010		
	E600AL	6"	L1045011		
	E800AL	8"	L1045023		
	E050SS	1/2"	L1025001		
	E075SS	3/4"	L1025002		
	E100SS	1"	L1025003		
	E125SS	1 1/4"	L1025004		
	E150SS	1 1/2"	L1025005		
	E200SS	2"	L1025006		
	E250SS	2 1/2"	L1025007		
	E300SS	3"	L1025008		
	E400SS	4"	L1025009		
	E500SS	5"	L1025010		
	E600SS	6"	L1025011		
		E050BR	1/2"	L1065001	
E075BR		3/4"	L1065002		
E100BR		1"	L1065003		
E125BR		1 1/4"	L1065004		
E150BR		1 1/2"	L1065005		
E200BR		2"	L1065006		
E250BR		2 1/2"	L1065007		
E300BR		3"	L1065008		
	E050PP	1/2"	L1075001		
	E075PP	3/4"	L1075002		
	E100PP	1"	L1075003		
	E125PP	1 1/4"	L1075004		
	E150PP	1 1/2"	L1075005		
	E200PP	2"	L1075006		
	E250PP	2 1/2"	L1075007		
	E300PP	3"	L1075008		
E400PP	4"	L1075009			

**Cam & Groove Couplings/Camlock Couplings
MIL A-A-59326**

Luxecasting 2014	Name	Size	Code	Price /USD NPT(MIL)	Remark
	F050AL	1/2"	L1046001		
	F075AL	3/4"	L1046004		
	F100AL	1"	L1046007		
	F125AL	1 1/4"	L1046010		
	F150AL	1 1/2"	L1046013		
	F200AL	2"	L1046016		
	F250AL	2 1/2"	L1046019		
	F300AL	3"	L1046022		
	F400AL	4"	L1046025		
	F500AL	5"	L1046028		
	F600AL	6"	L1046031		
F800AL	8"	L1046034			
	F050SS	1/2"	L1026001		
	F075SS	3/4"	L1026004		
	F100SS	1"	L1026007		
	F125SS	1 1/4"	L1026010		
	F150SS	1 1/2"	L1026013		
	F200SS	2"	L1026016		
	F250SS	2 1/2"	L1026019		
	F300SS	3"	L1026022		
	F400SS	4"	L1026025		
	F500SS	5"	L1026028		
	F600SS	6"	L1026031		
	F050BR	1/2"	L1066001		
	F075BR	3/4"	L1066004		
	F100BR	1"	L1066007		
	F125BR	1 1/4"	L1066010		
	F150BR	1 1/2"	L1066013		
	F200BR	2"	L1066016		
	F250BR	2 1/2"	L1066019		
	F300BR	3"	L1066022		
	F400BR	4"	L1066025		
	F050PP	1/2"	L1076001		
	F075PP	3/4"	L1076004		
F100PP	1"	L1076007			
F125PP	1 1/4"	L1076010			
F150PP	1 1/2"	L1076013			
F200PP	2"	L1076016			
F250PP	2 1/2"	L1076019			
F300PP	3"	L1076022			
F400PP	4"	L1076025			

Cam & Groove Couplings/Camlock Couplings MIL / EN / DIN

Luxecasting 2014	Name	Size	Code	Price USD	
	DC050AL	1/2"	L1048001		
	DC075AL	3/4"	L1048002		
	DC100AL	1"	L1048003		
	DC125AL	1 1/4"	L1048004		
	DC150AL	1 1/2"	L1048005		
	DC200AL	2"	L1048006		
	DC250AL	2 1/2"	L1048007		
	DC300AL	3"	L1048008		
	DC400AL	4"	L1048009		
	DC500AL	5"	L1048010		
	DC600AL	6"	L1048011		
	DC800AL	8"	L1048012		
	DC050SS	1/2"	L1028001		
	DC075SS	3/4"	L1028002		
	DC100SS	1"	L1028003		
	DC125SS	1 1/4"	L1028004		
	DC150SS	1 1/2"	L1028005		
	DC200SS	2"	L1028006		
	DC250SS	2 1/2"	L1028007		
	DC300SS	3"	L1028008		
	DC400SS	4"	L1028009		
	DC500SS	5"	L1028010		
	DC600SS	6"	L1028011		
		DC050BR	1/2"	L1068001	
DC075BR		3/4"	L1068002		
DC100BR		1"	L1068003		
DC125BR		1 1/4"	L1068004		
DC150BR		1 1/2"	L1068005		
DC200BR		2"	L1068006		
DC250BR		2 1/2"	L1068007		
DC300BR		3"	L1068008		
DC400BR		4"	L1068009		
		DC050PP	1/2"	L1078001	
		DC075PP	3/4"	L1078002	
		DC100PP	1"	L1078003	
	DC125PP	1 1/4"	L1078004		
	DC150PP	1 1/2"	L1078005		
	DC200PP	2"	L1078006		
	DC250PP	2 1/2"	L1078007		
	DC300PP	3"	L1078008		
	DC400PP	4"	L1078009		

Cam & Groove Couplings/Camlock Couplings

MIL / EN / DIN

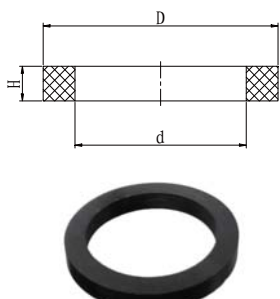
Luxecasting 2014	Name	Size	Code	Price USD	
	DP050AL	1/2"	L1047001		
	DP075AL	3/4"	L1047002		
	DP100AL	1"	L1047003		
	DP125AL	1 1/4"	L1047004		
	DP150AL	1 1/2"	L1047005		
	DP200AL	2"	L1047006		
	DP250AL	2 1/2"	L1047007		
	DP300AL	3"	L1047008		
	DP400AL	4"	L1047009		
	DP500AL	5"	L1047010		
	DP600AL	6"	L1047011		
	DP800AL	8"	L1047012		
	DP050SS	1/2"	L1027001		
	DP075SS	3/4"	L1027002		
	DP100SS	1"	L1027003		
	DP125SS	1 1/4"	L1027004		
	DP150SS	1 1/2"	L1027005		
	DP200SS	2"	L1027006		
	DP250SS	2 1/2"	L1027007		
	DP300SS	3"	L1027008		
	DP400SS	4"	L1027009		
	DP500SS	5"	L1027010		
	DP600SS	6"	L1027011		
		DP050BR	1/2"	L1067001	
DP075BR		3/4"	L1067002		
DP100BR		1"	L1067003		
DP125BR		1 1/4"	L1067004		
DP150BR		1 1/2"	L1067005		
DP200BR		2"	L1067006		
DP250BR		2 1/2"	L1067007		
DP300BR		3"	L1067008		
DP400BR		4"	L1067009		
		DP050PP	1/2"	L1077001	
		DP075PP	3/4"	L1077002	
		DP100PP	1"	L1077003	
	DP125PP	1 1/4"	L1077004		
	DP150PP	1 1/2"	L1077005		
	DP200PP	2"	L1077006		
	DP250PP	2 1/2"	L1077007		
	DP300PP	3"	L1077008		
	DP400PP	4"	L1077009		

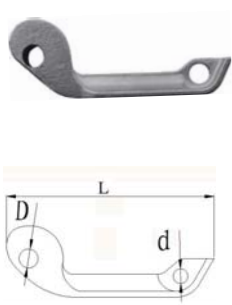
Cam & Groove Couplings/Camlock Couplings EN14420-7/DIN2828

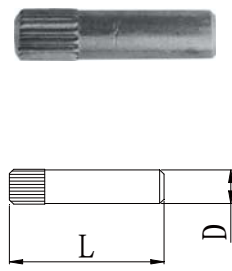
Luxecasting 2014	Name	Size	Code	Price USD	Remark
A 	DIN-A050SS	1/2"	L1021003		BSP
	DIN-A075SS	3/4"	L1021006		
	DIN-A100SS	1"	L1021009		
	DIN-A125SS	1 1/4"	L1021012		
	DIN-A150SS	1 1/2"	L1021015		
	DIN-A200SS	2"	L1021018		
	DIN-A250SS	2 1/2"	L1021021		
	DIN-A300SS	3"	L1021024		
	DIN-A400SS	4"	L1021027		
	DIN-A500SS	5"	L1021030		
	DIN-A600SS	6"	L1021033		
B 	DIN-B050SS	1/2"	L1022002		BSPT
	DIN-B075SS	3/4"	L1022005		
	DIN-B100SS	1"	L1022008		
	DIN-B125SS	1 1/4"	L1022011		
	DIN-B150SS	1 1/2"	L1022014		
	DIN-B200SS	2"	L1022017		
	DIN-B250SS	2 1/2"	L1022020		
	DIN-B300SS	3"	L1022023		
	DIN-B400SS	4"	L1022026		
	DIN-B500SS	5"	L1022029		
	DIN-B600SS	6"	L1022032		
C 	DIN-C050SS	1/2"	L1023012		DIN hose tail
	DIN-C075SS	3/4"	L1023013		
	DIN-C100SS	1"	L1023014		
	DIN-C125SS	1 1/4"	L1023015		
	DIN-C150SS	1 1/2"	L1023016		
	DIN-C200SS	2"	L1023017		
	DIN-C250SS	2 1/2"	L1023018		
	DIN-C300SS	3"	L1023019		
	DIN-C400SS	4"	L1023020		
	D 	DIN-D050SS	1/2"	L1024003	
DIN-D075SS		3/4"	L1024006		
DIN-D100SS		1"	L1024009		
DIN-D125SS		1 1/4"	L1024012		
DIN-D150SS		1 1/2"	L1024015		
DIN-D200SS		2"	L1024018		
DIN-D250SS		2 1/2"	L1024021		
DIN-D300SS		3"	L1024024		
DIN-D400SS		4"	L1024027		
DIN-D500SS		5"	L1024030		
DIN-D600SS	6"	L1024033			



Cam & Groove Couplings/Camlock Couplings EN14420-7/DIN2828

Luxecasting 2014	Name	Size	Code	Price USD	Remark
E 	DIN-E050SS	1/2"	L1025012		DIN hose tail
	DIN-E075SS	3/4"	L1025013		
	DIN-E100SS	1"	L1025014		
	DIN-E125SS	1 1/4"	L1025015		
	DIN-E150SS	1 1/2"	L1025016		
	DIN-E200SS	2"	L1025017		
	DIN-E250SS	2 1/2"	L1025018		
	DIN-E300SS	3"	L1025019		
	DIN-E400SS	4"	L1025020		
F 	DIN-F050SS	1/2"	L1026002		BSPT
	DIN-F075SS	3/4"	L1026005		
	DIN-F100SS	1"	L1026008		
	DIN-F125SS	1 1/4"	L1026011		
	DIN-F150SS	1 1/2"	L1026014		
	DIN-F200SS	2"	L1026017		
	DIN-F250SS	2 1/2"	L1026020		
	DIN-F300SS	3"	L1026023		
	DIN-F400SS	4"	L1026026		
Adapter with welding neck 	AVKR050SS	1/2"	L1013003		
	AVKR075SS	3/4"	L1013004		
	AVKR100SS	1"	L1013005		
	AVKR125SS	1 1/4"	L1013006		
	AVKR150SS	1 1/2"	L1013007		
	AVKR200SS	2"	L1013001		
	AVKR250SS	2 1/2"	L1013002		
	AVKR300SS	3"	L1013008		
	AVKR400SS	4"	L1013009		

Luxecasting 2014	Name	Code	ΦD mm	Φd mm	H mm	Price USD
	CAM15NBR	L1090017-15	26	16	4	
	CAM20NBR	L1090017-20	35	22	5.5	
	CAM25NBR	L1090017-25	40	27	6.4	
	CAM32NBR	L1090017-32	50	35	6.4	
	CAM40NBR	L1090017-40	56	41	6.4	
	CAM50NBR	L1090017-50	67	51	6.4	
	CAM65NBR	L1090017-65	80	60	6.4	
	CAM80NBR	L1090017-80	95	76	6.4	
	CAM100NBR	L1090017-100	124	102	6.4	

Handle	Name	Code	ΦD mm	Φd mm	L mm	Price USD
	HDCM15SS	L1009009	4.1	3.5	44	
	HDCM20SS	L1009009	4.1	3.5	44	
	HDCM25SS	L1009005	5.5	4.0	48	
	HDCM32SS	L1009006	6.4	5.0	68	
	HDCM40SS	L1009006	6.4	5.0	68	
	HDCM50SS	L1009006	6.4	5.0	68	
	HDCM65SS	L1009006	6.4	5.0	68	
	HDCM80SS	L1009002	8.1	6.0	78	
	HDCM100SS	L1009002	8.1	6.0	78	

Pin	Name	Code	ΦD mm	L mm	Price USD
	PICM15SS	L1090021	4.0	18.5	
	PICM20SS	L1090021	4.0	18.5	
	PICM25SS	L1090018	5.4	24.0	
	PICM32SS	L1090019	6.3	28.0	
	PICM40SS	L1090019	6.3	28.0	
	PICM50SS	L1090019	6.3	28.0	
	PICM65SS	L1090019	6.3	28.0	
	PICM80SS	L1090002	8.0	34.0	
	PICM100SS	L1090002	8.0	34.0	

	Name	Code	Price USD
	RINGSS	L1090020	
	PINSS	L1090025	

Autolock camlock coupling was also referred to as self-locking camlock coupling. The cam arms were specially designed for the safety and convenience of connection. You can simply close the cam arms just like a regular camlock, but then cam arms lock themselves automatically with a positive click. Autolock coupling holds the adaptor more securely to the coupler to provide added protection against accidental release.

Application

The couplings are capable of transporting liquids, solids and gases, except liquid gas and steam.

Material

Stainless steel AISI316/1.4408 by investment casting

Size

Autolock camlock coupling from 1/2" to 4" are available

Seal

1. The standard flat gasket seal for the autolock camlock is NBR
2. The gasket for DIN female thread coupling according to EN 14420-5, the standard material is PTFE for stainless steel.



Features






1. Handles are made of stainless steel AISI 304 as a standard.
2. Provides extra protection against accidental release.

Thread

Camlock	Male	Female	Standard
MIL-type	NPT	NPT	NPT according to ANSI / ASME B1.20.1
DIN -type	BSPT	BSP	BSP according to EN ISO 228-1



**Cam & Groove coupling/Camlock coupling
Autolock Camlock coupling**

Luxecasting 2014	Name	Size	Code	Price USD	Remark
B 	AUTB050SS	1/2"	L1022051		BSPT
	AUTB100SS	1"	L1022055		
	AUTB125SS	1 1/4"	L1022057		
	AUTB150SS	1 1/2"	L1022059		
	AUTB200SS	2"	L1022061		
	AUTB250SS	2 1/2"	L1022063		
	AUTB300SS	3"	L1022065		
	AUTB400SS	4"	L1022067		
C 	AUTC050SS	1/2"	L1023062		
	AUTC100SS	1"	L1023064		
	AUTC125SS	1 1/4"	L1023065		
	AUTC150SS	1 1/2"	L1023066		
	AUTC200SS	2"	L1023067		
	AUTC250SS	2 1/2"	L1023068		
	AUTC300SS	3"	L1023069		
	AUTC400SS	4"	L1023070		
C 	AUTDINC050SS	1/2"	L1023051		DIN hose tail
	AUTDINC100SS	1"	L1023053		
	AUTDINC125SS	1 1/4"	L1023054		
	AUTDINC150SS	1 1/2"	L1023055		
	AUTDINC200SS	2"	L1023056		
	AUTDINC250SS	2 1/2"	L1023057		
	AUTDINC300SS	3"	L1023058		
	AUTDINC400SS	4"	L1023059		
D 	AUTD050SS	1/2"	L1024051		BSP
	AUTD100SS	1"	L1024057		
	AUTD125SS	1 1/4"	L1024060		
	AUTD150SS	1 1/2"	L1024063		
	AUTD200SS	2"	L1024066		
	AUTD250SS	2 1/2"	L1024069		
	AUTD300SS	3"	L1024072		
	AUTD400SS	4"	L1024075		
DC 	AUTDC050SS	1/2"	L1028051		
	AUTDC100SS	1"	L1028053		
	AUTDC125SS	1 1/4"	L1028054		
	AUTDC150SS	1 1/2"	L1028055		
	AUTDC200SS	2"	L1028056		
	AUTDC250SS	2 1/2"	L1028057		
	AUTDC300SS	3"	L1028058		
	AUTDC400SS	4"	L1028059		